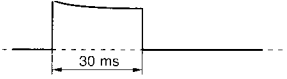


TP	Name	Signal	Freq/Per	Description
502	NOT-ON	0V +3V ... 4V +3V ... 4V	DC DC DC	At power on At power off, if mains adapter voltage is present At power off, battery supply only
503	ON-OFF		30 ms	Power off pulse from μ P at switching off
504	ON-RESET	+5V +3V ... 4V 0V	DC DC DC	At power on At power off During pressing the ON/OFF key
505	ON-KEY	0 -5 ... -5.5	DC DC	At power off and power on During pressing the ON/OFF key

7.1.6.4 Default signals measured in the digital circuits.

The default signals measured in the digital circuits are included in section 7.1.6.3 "Test point signals".